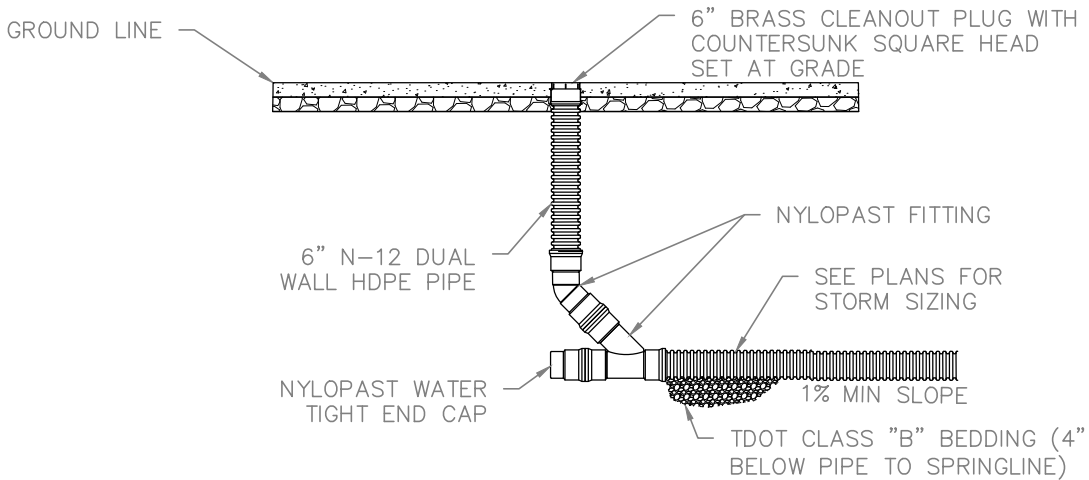
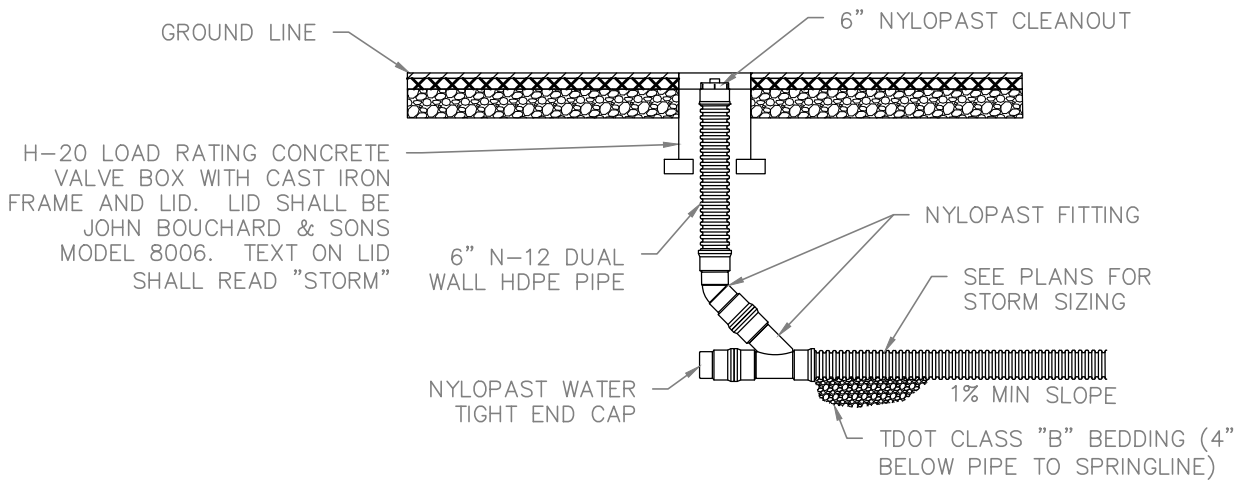


GRASS INSTALLATION



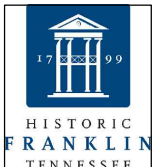
SIDEWALK / TRAIL INSTALLATION



PARKING LOT INSTALLATION

GENERAL NOTES

1. FLEXIBLE CONNECTIONS SHALL BE PROHIBITED
2. ALL CONNECTIONS SHALL WATER TIGHT
3. TDOT CLASS "B" BEDDING MATERIAL SHALL BE PLACED IN LIFTS, NOT TO EXCEED 6 INCHES, FROM 4 INCHES BELOW THE PIPE TO THE PIPE SPRINGLINE. A MINIMUM COMPACTION LEVEL OF 90% OF THE STANDARD PROCTOR DENSITY PER AASHTO T99 SHALL BE ACHIEVED BY USE OF VIBRATORY PLATE.



STORM CLEANOUT (HDPE)

DWG. NO.

CS23

CITY OF FRANKLIN

NOT TO SCALE

CITY ENGINEER:

DATE:

03/20/2023